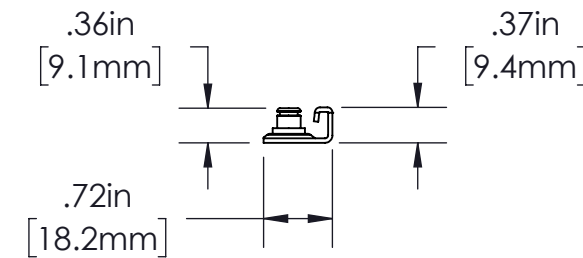
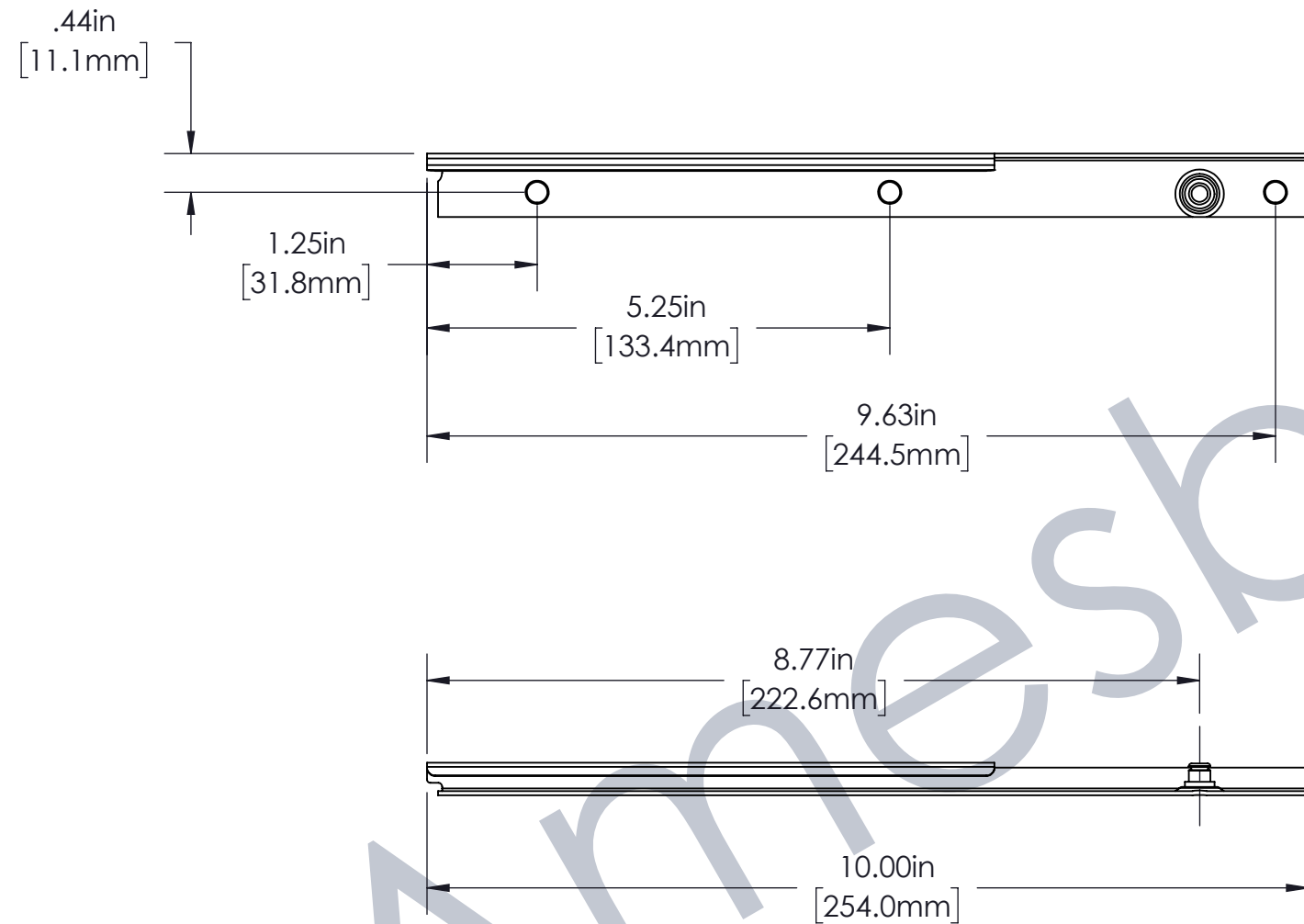
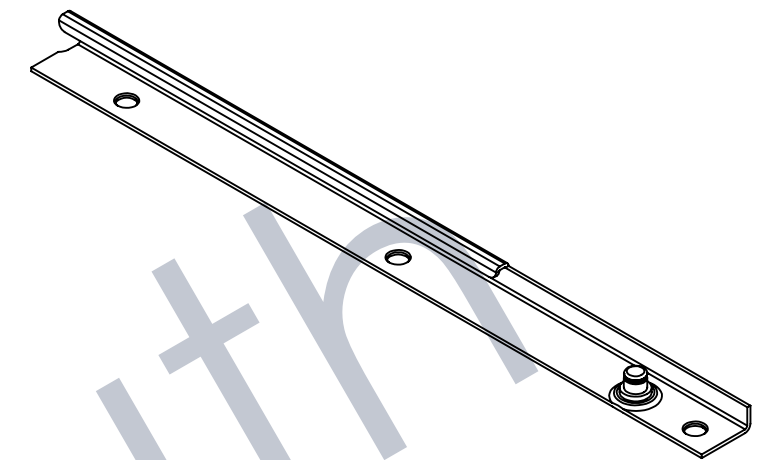


10 INCH AWNING STEEL	LEFT	13.13.00.236
	RIGHT	13.13.00.237
10 INCH AWNING SST	LEFT	13.43.00.236
	RIGHT	13.43.00.237

ONE ARM ASSEMBLY AND ONE TRACK ASSEMBLY
REQUIRED TO MAKE A COMPLETE HINGE.



RECOMMENDED SCREWS:
 (P/N 19110.XX) NO. 7 X .750 PHILLIPS FLAT HEAD SHEET METAL SCREWS (STEEL)
 (P/N 19105.XX) NO. 7 X .750 PHILLIPS FLAT HEAD SHEET METAL SCREWS (STAINLESS STEEL)

FOR USE WITH TRACK ON PVC:
 NO. 7 X .750 PHILLIPS FLAD HEAD UNDERCUT SHEET METAL SCREWS.
 (NOT AVAILABLE FROM TRUTH, QUANTITIES DEPEND ON HINGE USED)
 SEE TRUTH TIP NO. 5 & 6

CUSTOMER PAGE

<p>Amesbury Truth Engineered Solutions. Trusted Results.</p>	INTERPRET PER: ASME Y14.5M-2009 UNITS: INCH	DRAWING TITLE: AWNING HINGE KD TRACK, 10 INCH, LEFT HAND	
	THIRD ANGLE PROJECTION 	SCALE: 1:2 DRAWING #: 13.13.00.236	SHEET 1 OF 1

THE INFORMATION CONTAINED IN THIS
 DRAWING IS CONFIDENTIAL AND PROPRIETARY.
 THIS DRAWING IS NOT TO BE COPIED OR
 REPRODUCED IN WHOLE OR IN PART WITHOUT
 EXPRESS WRITTEN PERMISSION.